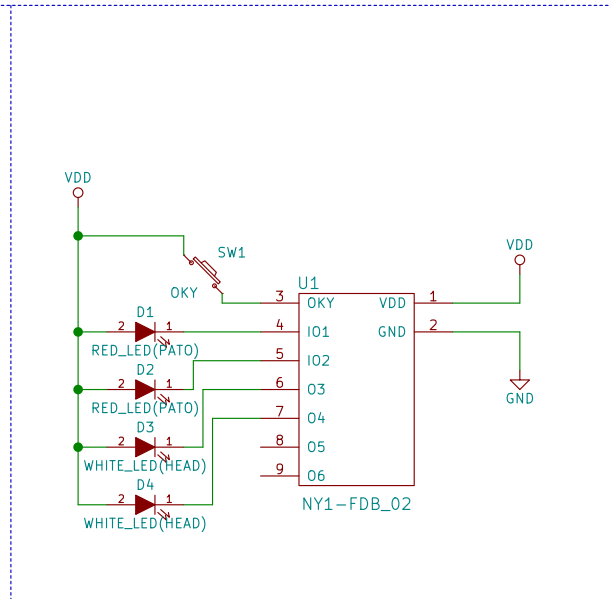
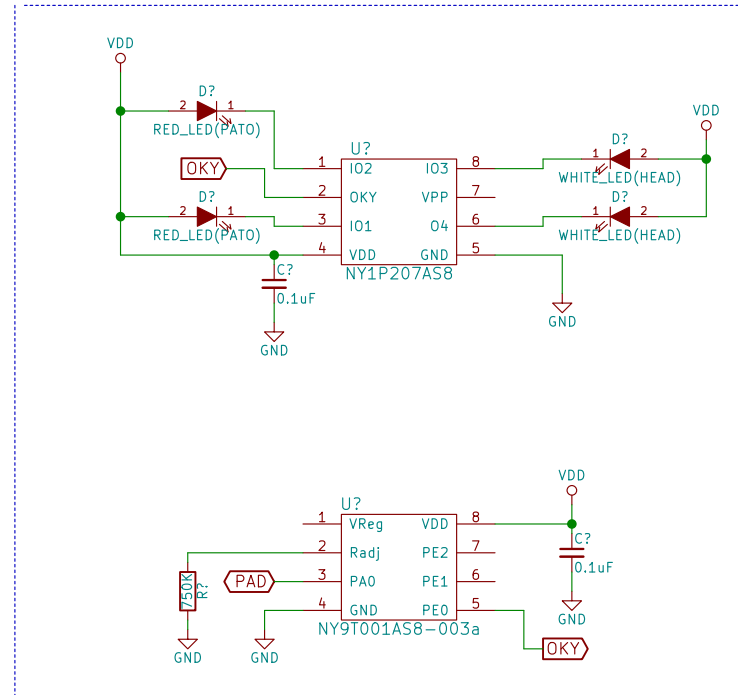


NY1_FDB



NY10TP



STAR-AZA

Sheet: /
File: NY1_PatrolCar_Sch.sch

Title: NY1 PATROL CAR

Size: A4 Date: 2020-01-12

KiCad E.D.A. kicad 4.0.1-stable

Rev: 01A

Id: 1/1